

Christie CP2220

Digital cinema projection
Color Correction/Timing rooms
Digital intermediate suites
Executive screening rooms
Post production



Lowest operating costs in its class

Designed for ease of use and maximum reliability with the majority of screens in commercial exhibition, the Christie CP2220 is an all-in-one digital cinema projection solution that is the brightest, highest performance projector with the lowest operating costs in its class. The new user interface and electronics showcase speed and performance that help make the Christie CP2220 the workhorse of the industry.

As part of the Christie Solaria Series of digital cinema projectors, the Christie CP2220 is based on Series 2 DLP® technology from Texas Instruments.

CHRISTIE®



▲ For screens up to 70 feet

Christie CP2220

127-002103-01

Purpose-built for exhibitors, the Christie CP2220 delivers 22,000 lumens with only a 3kW lamp, making it the most cost efficient projector in the industry. The Christie CP2220 is built on proven and reliable 1.2" 2K DMD DLP Cinema® technology, featuring a contrast ratio greater than 2100:1 and is upgradable to 4K.

Featuring an internal universal switching lamp power supply, the Christie CP2220 provides maximum performance and reliability. Additionally, the Christie CP2220 is up to 50% smaller by volume than other projectors on the market and can be placed on a variety of rack stands and pedestals. Available as an optional accessory, the motorized lens mount is the fastest and most accurate available on the market. It is compatible with Christie's complete line of zoom lenses.

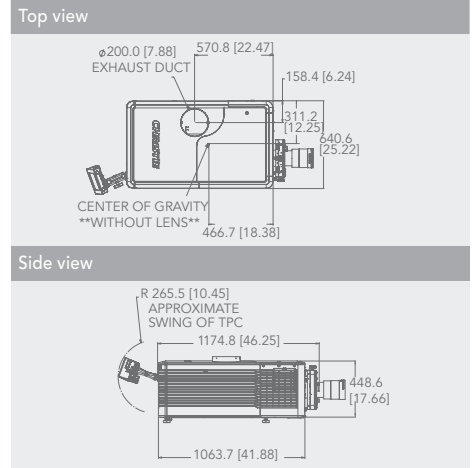
Based on the popular CP2000-ZX platform, the Christie CP2220 offers Brilliant3D™ full 2K resolution triple flash for 3D projection and built-in support for HDCP and de-interlacing of alternative content. Using the Texas Instruments 1.2" DMD allows for bigger and brighter 3D movies and more efficient cooling which extends the life of the projector. The ergonomic design offers simplicity of use in a robust and reliable package.

With an optional motorized lens mount, designed specifically for use in theatrical exhibition, the CP2220 promotes longer lamp

life, lower cost of ownership and greater reliability than the competition. In addition, the CP2220 was designed to allow a convenient field upgrade to 4K, providing you with an additional return on your investment.

2K Series 2 DLP Cinema®
DCI compliant
Easily upgradeable to 4K
3D ready
Lowest cost of ownership
Accessories – for easy integration into any environment, Christie's full range of digital cinema accessories includes the Christie Cine-IPM 2K for alternative content, the Christie Multimedia Adapter for economical audio and video scaling, the Christie ACT automation control system, and a full suite of lenses and lamps.
Standard support for HDCP, SNMP and VNC
Split power operation for use with UPS
Local control via flexible Touch Panel Controller (TPC) and full access from anywhere via web service based GUI
One-piece compact design for flexible mounting and installation
Operates with standard 2kW, 3kW and high performance 3kW cinema lamps

Specifications	CP2220	
Brightness ¹	lamp	<ul style="list-style-type: none"> • 2.0kW (CDXL-20) 003-000598-XX • 3.0kW (CDXL-30) 003-000599-XX • 3.0kW (CDXL-30SD) 003-001165-XX
	nominal	• ~22,000 lumens
	screen size	• <70' maximum screen size ¹
Contrast ratio	• >2100:1 full field on/off	
Digital micromirror device	<ul style="list-style-type: none"> • 1.2" 2K 3-chip DMD DLP Cinema® • 2048x1080 pixels • Upgradable to 1.38" 4K (4096 x 2160 pixels) 	
Input line voltage	• Single phase 220V	
Number of colors	• 35.2 trillion	
Lenses	• See christiedigital.com or the Entertainment Solutions brochure for a complete list of lens options.	
Power supply	• 3.3kW low-ripple switch mode lamp power supply	
Weight	• As installed: 256lb max (116kg)	
Accessories	<ul style="list-style-type: none"> • Variable aperture kits 38-813028-51 • Nema-L6 30A 250V male PWR plug w/1.5m cord 116-102104-01 • Rack mount stand (fully assembled) 108-282101-02 • Rear feet lock downs 116-100101-01 • 3 phase to 1 phase 208V/120V power distribution unit 111-277001-01 	



¹ Maximum screen size depends upon various factors such as screen gain, lamp age, geometry, etc. Consult your Christie representative for detailed analysis. Measured at screen center.

Corporate offices

Christie Digital Systems USA, Inc
USA – Cypress
ph: 714 236 8610

Christie Digital Systems Canada Inc.
Canada – Kitchener
ph: 519 744 8005

Worldwide offices

United Kingdom
ph: +44 (0) 118 977 8000

Germany
ph: +49 2161 664540

France
ph: +33 (0) 1 41 21 44 04

Spain
ph: +34 91 633 9990

Eastern Europe and Russian Federation
ph: +36 (0) 1 47 48 100

United Arab Emirates
ph: +971 (0) 4 299 7575

India
ph: (080) 41468941 – 48

Singapore
ph: +65 6877 8737

China (Shanghai)
ph: +86 21 6278 7708

China (Beijing)
ph: +86 10 6561 0240

Japan (Tokyo)
ph: 81 3 3599 7481

Korea (Seoul)
ph: +82 2 702 1601

Independent sales consultant offices

Italy
ph: +39 (0) 2 9902 1161

South Africa
ph: +27 (0) 317 671 347



DLP Cinema® Technology
2009 Academy Scientific and Engineering Award for Color Accuracy

A.M.P.A.S.® Recipients of the 2009 Academy Plaque are: D. Scott Dewald, Greg Pettit, Brad Walker and Bill Werner.



For the most current specification information, please visit www.christiedigital.com